

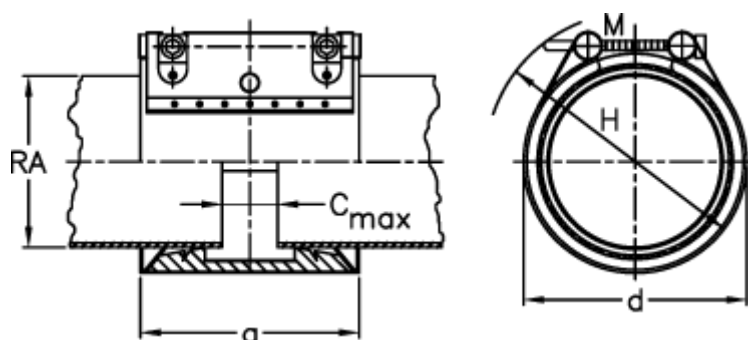
Data Sheet



Article number: 025799100057

Description: Norma Connect pipe coupling
GRIP E W2 Ø=57,0 EPDM, 16 bar

Measures



a	= 77.40000000000006
C max with insertion band	= 17
d	= 80
H	= 100
M (screw)	= M8
Nominal pressure (bar)	= 16
RA	= 57
RA min-RA max	= 55,0-57,6

Weight a piece = 0.8